



POWERING THE FUTURE™

TK 3 & TK 4 SPECIALTY COOLING KITS

KEY FEATURES

- Fully reversible electric fans allow for debris removal
- Engine cooling utilizing controllable electric fans
- Fans are adaptable to existing heat exchangers
- Remote mount option for improved packaging
- Robust, long-life Brushless Electric Fans
- Optimization of operating temperatures
- Improved ambient temperature control
- Diagnostic software available

KEY BENEFITS

- Extended Engine Life
- Increased Efficiency
- Improved Fuel Economy
- Environmentally Friendly
- Increased Available Engine Horsepower
- Quiet Operation – Reduced Noise Pollution
- Proven Technology in Harshes of Environments
- Reduced Downtime and Less Maintenance Cost
- Improved Safety – Eliminates Risk of Hydraulic Leaks

IDEAL FOR SPECIALTY APPLICATIONS AND
PRIMARY POWER ENGINES



TK 3 & TK 4 SPECIALTY COOLING KITS



MARKETS

- Off-Highway • Oil & Gas
- Stationary Power Generation

PRODUCT APPLICATIONS

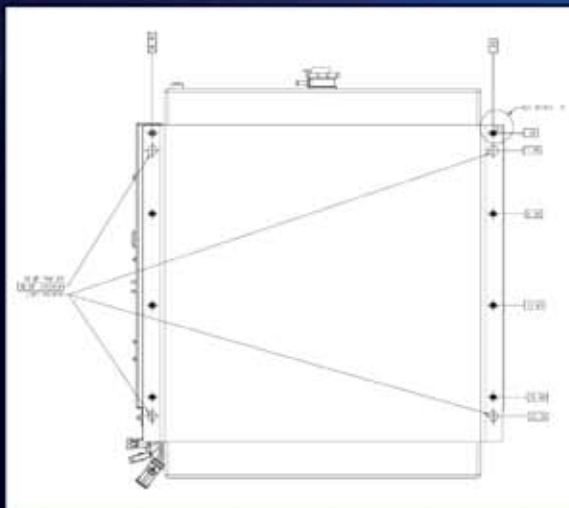
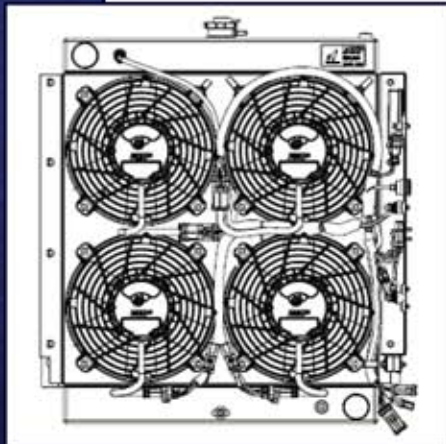
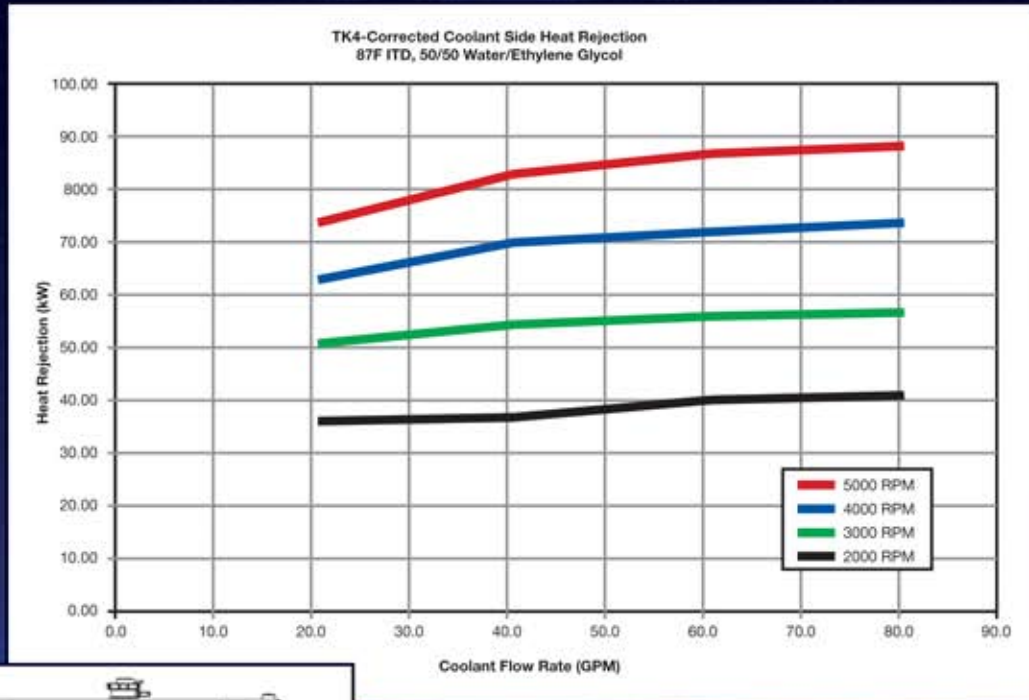
- MAIN ENGINES • SECONDARY COOLING
- ELECTRONICS • SPECIALTY & HYBRID
- STATIONARY ENGINES



POWERING THE FUTURE™

2701 N. 30th Street
Escanaba, MI 49829

emp-corp.com | productinfo@emp-corp.com | (906) 789-7497



TK 3 & TK 4 SPECIALTY COOLING KITS	
Application	General Cooling
Overall Package Length	32.4 Inches
Overall Package Width	29.0 Inches
Overall Package Depth	10.5 Inches
TK 4 Weight (w/out fluid)	105 lbs.
TK 3 Weight (w/out fluid)	100 lbs.
Heat Exchanger Material	Aluminum
Shroud Material	Steel
Maximum Operating Temp	95° Celsius
Minimum Operating Temp	-40° Celsius
Maximum Storage Temp	125° Celsius
Minimum Storage Temp	-50° Celsius
Maximum Coolant Temp	110° Celsius
Maximum Operating Speed	12V 4000 RPM
Maximum Operating Speed	24V 4600 RPM
Minimum Operating Speed	750 RPM
Maximum Continuous Operating Pressure	20 PSIG
Inlet and Outlet Hose Size	2 Inches
Maximum Recommended Coolant Flow Rate	100 GPM
Heat Exchanger Fin Spacing	12 Fins/Inch
Nominal Pressure Drop at 80 GPM with 50/50 water/ethylene glycol	6.5 PSI
Heat Exchanger Volume	4.3 Gallons