

# EMP

POWERING THE FUTURE™

## OK 1 & OK 2 HYDRAULIC OIL COOLER

### HIGH PERFORMANCE AIR TO OIL COOLER FOR SEVERE DUTY MARKET

- Full Reversibility - Keeps Radiator Clean
- Pusher, Puller, 12 or 24V - Configurations to Meet Any Application Need
- Increases Available Engine Horsepower
- Optimizes Temperature Automatically
- Extremely High Performance
- Long Life Brushless Motor
- Extremely Robust
- Built-In Bypass



OK 1 & OK 2  
HYDRAULIC OIL COOLERS



### MARKETS

- Severe-Duty Off Highway
- Forestry • Mining • Agriculture
- Construction • Work Truck

### BEST COOLING SOLUTION ON THE MARKET

HIGH PERFORMANCE - COMMERCIAL GRADE

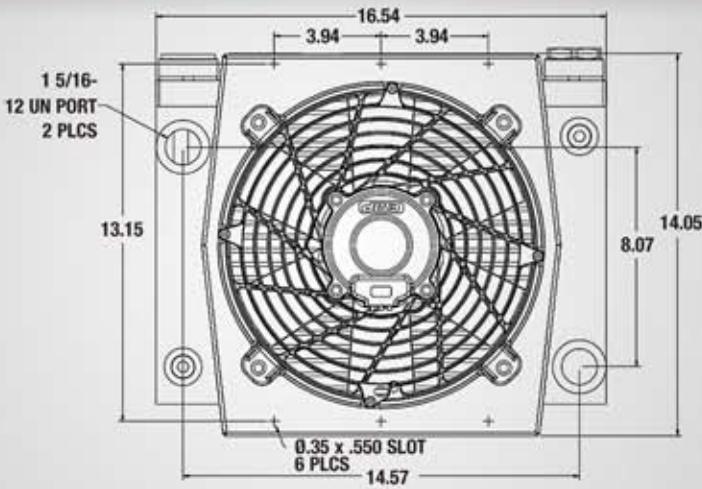


**EMP**  
POWERING THE FUTURE™

2701 N. 30th Street  
Escanaba, MI 49829

[emp-corp.com](http://emp-corp.com) | [productinfo@emp-corp.com](mailto:productinfo@emp-corp.com) | (906) 789-7497





## ◀ 40,000 BTU/HR

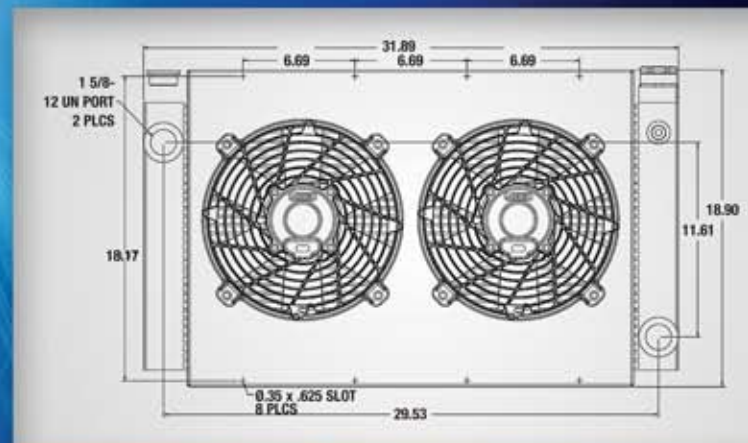
### 40,000 BTU/HR INITIAL SPECIFICATIONS

Application	Oil Cooling
Typical Heat Rejection	40k BTU/HR (11.7 KW)
Typical Oil Flow (gpm)	10-50 gpm
Port Size	1 5/16" - 12UN
Max Current	25 amps
Voltage	12 or 24 Volts
Control	On/Off, CAN, Temp. Sensor
Construction	Aluminum and Steel
Weight	~30 lbs.
Rough Envelope	16.5" x 14" x 7.5"

## 100,000 BTU/HR ▶

### 100,000 BTU/HR INITIAL SPECIFICATIONS

Application	Oil Cooling
Typical Heat Rejection	100k BTU/HR (29.3 KW)
Typical Oil Flow (gpm)	10-50 gpm
Port Size	1 5/8" - 12UN
Max Current	50 amps
Voltage	12 or 24 Volts
Control	On/Off, CAN, Temp. Sensor
Construction	Aluminum and Steel
Weight	~70 lbs.
Rough Envelope	32" x 19" x 8.5"



CM20  
Controller

## CM20 CONTROLLER (INCLUDED)

### CM20 CONTROLLER SPECIFICATIONS

Rated Voltage	9 to 32 VDC
Rated Current	20 Amps Continuous @ 95° C
Operating Temperature	-40 to 95° C
Storage Temperature	-50 to 125° C
Controlled or Single Speed	CAN or Thermistor
Housing Construction	Cast Aluminum
Size (L x W x H)	5.03" x 5.64" x 2.36"
Weight	2.4 lbs.

### CM20

I/O: CAN
I: Selectable CAN Address/Thermistor
I: Ignition Enable
Programmable Fan Reversible